

SCIFIT StepOne Recumbent Stepper

SONE02

Parts Manual

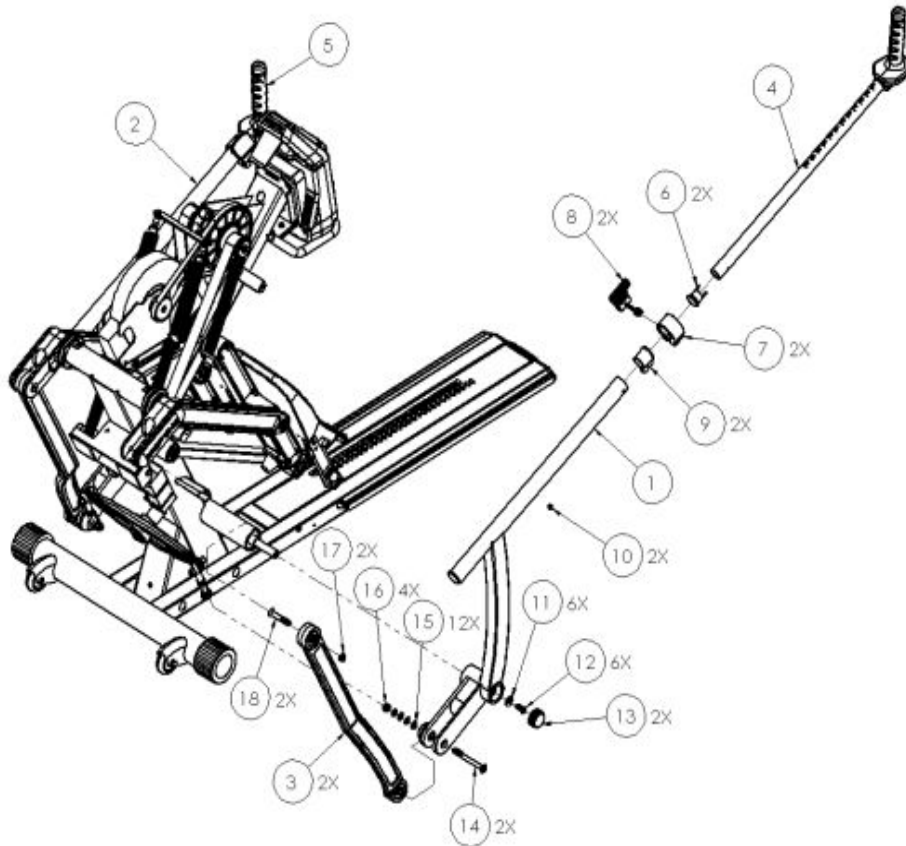
6/24/2019 8:17:52 AM



Table of Contents

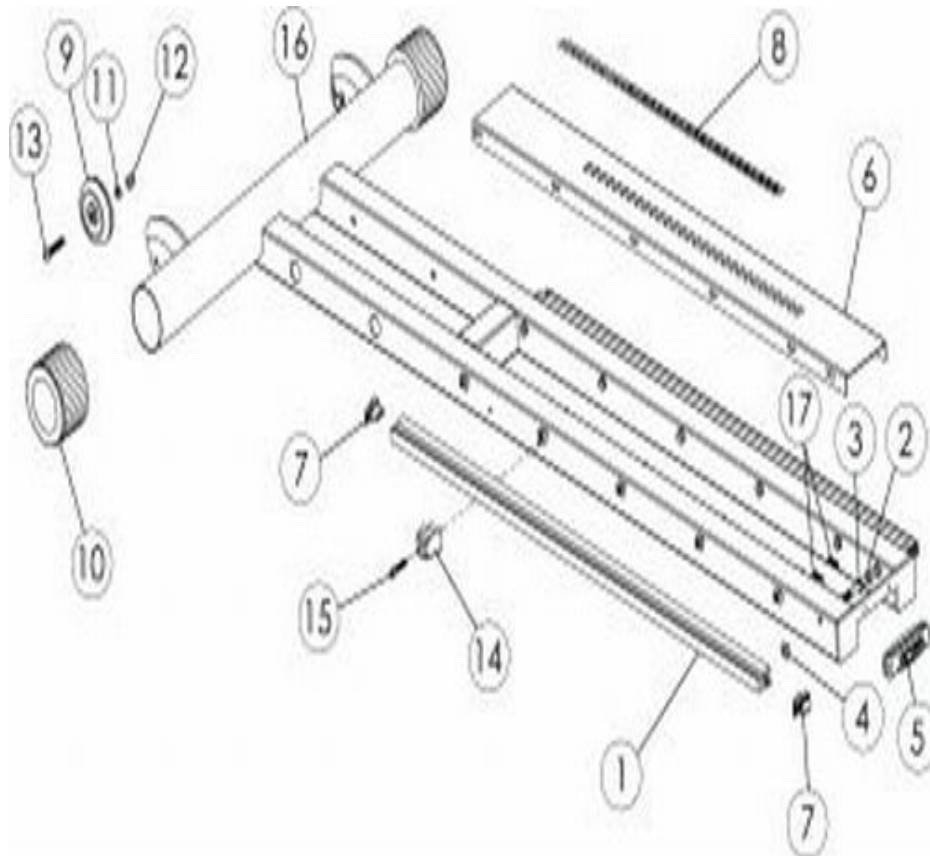
Arm Handle Assembly	3
Base Frame Assembly Post 4/2017	4
Base Frame Assembly Pre 4/2017	5
Brackets Assembly	6
Cover Assembly	7
Drive System	8
Pedal Arm Links	9
Pivot Link Assembly	11
Seat, Bariatric - 151-001651 to CURRENT	12
Seat, Fixed Bucket PRO - 151-000001 to 151-001650	13
Wiring Diagram	14

Arm Handle Assembly



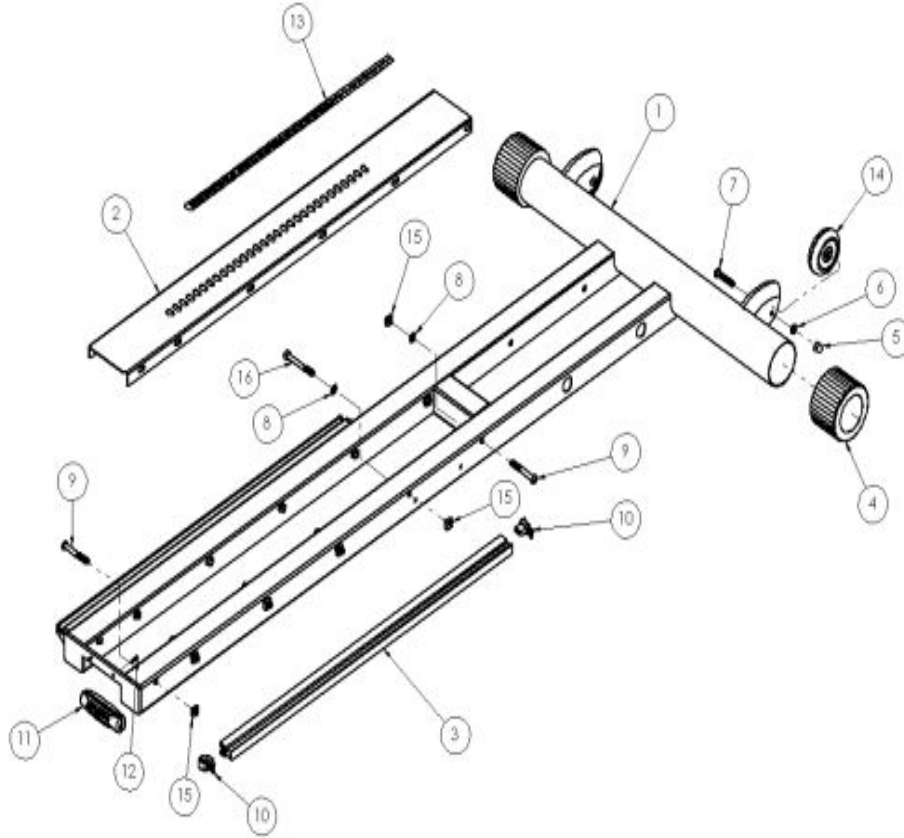
Ref #	Part Number	Qty	Description
1	A5434	1	ASSY OUTER HANDLE RH STEP1
2	A5433	1	ASSY OUTER HANDLE LH STEP1
3	A5352	2	ASSY LINK BLADE DRIVE STEP1
4	A5170	1	ASSY HANDLE RH OVERMOLD STEP 1
5	A5171	1	ASSY HANDLE LH OVERMOLD STEP 1
6	A5134	2	PLUG HANDLEBAR INNER STEP 1
7	A5136	2	CLAMP HANDLEBAR STEP 1
8	A5624	2	Assy Clamp. handle StepOne
9	S5854	1	Kit Handlebar Sleeve 1 pr Step
10	25903	1	3/8"-24 x 1/2" Blk FDP SS
11	33815	6	3/8" Yllw Zinc Hardened F/W
12	94092	6	BHSC 3/8-16 X 1
13	A5435	2	Cap Casting Outer Handle St
14	10537-08048	2	FHSC 7/16-14MM X 4.
15	10537-03641	8	WASHER .75 OD X .45 ID X .063 THK
16	37027	4	NUT:7/16"-14 Zinc Nylon Lock Nut
17	36208	2	7/16-14 JAM NUT
18	94333	2	FHSC 7/16-14 X 2 3/4"

Base Frame Assembly Post 4/2017



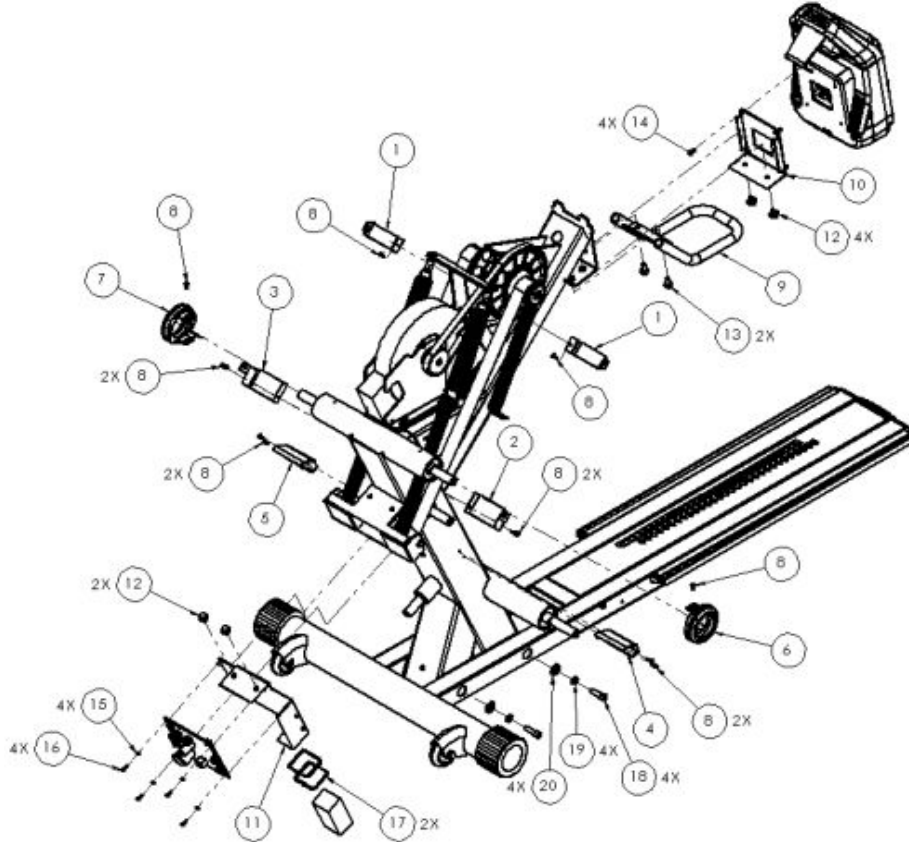
Ref #	Part Number	Qty	Description
1	A3299	2	Extrusion Rail Roller 37.5" PR
2	13064	12	5/16"-18 x 2-3/4" Zinc HCS
3	33712	12	5/16" Zinc Internal Tooth L/W
4	37622	12	5/16"-18 Zinc Square Nut
5	A5449	1	HANDLE LIFT STEP 1
6	A6507	1	KIT:PAN, STAINLESS, 30 HOLE
7	A5215	4	Endcap Cover Extrusion Rail
8	A6766	1	KIT:DECAL SEAT ADJUSTMEN, 30 HOLE
9	P2144	2	Wheel Front PRO II
10	A1890	2	Cap Base 3" Adj. 65 Durometer
11	33892	2	5/16" Yellow Zinc Split L/W
12	70961	2	5/16"-18 Stnlss Stl Acorn Nut
13	73783	2	5/16"-18 x 1-3/4" Stnlss BSCS
14	A6506	2	KIT:BUMPER, SEAT STOP, COMPLIANCE
15	23807	2	SCR:SCREW, 1/4"-28 x 1-1/4" SCH
16	A5028	1	ASSY WLDMNT BASE STEP 1
17	23166	2	#10-32 x 3/4" Blk Oxd SCS
-	A6999	1	ASSY, BASE FRAME, STEP1/LATITUDE

Base Frame Assembly Pre 4/2017



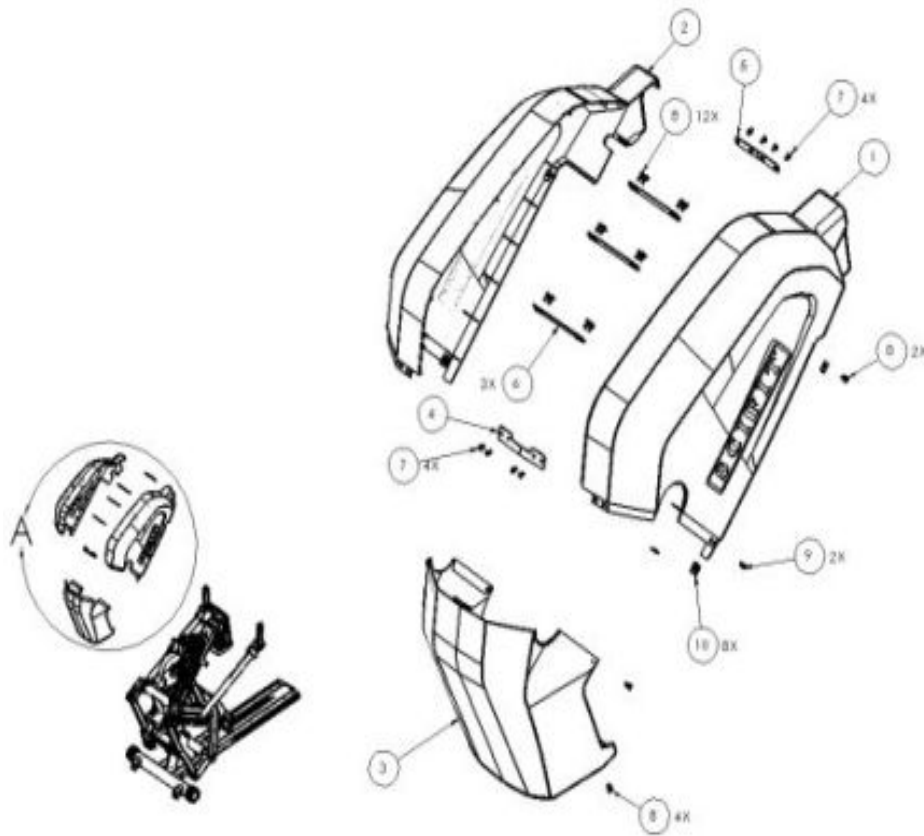
Ref #	Part Number	Qty	Description
1	A5028	1	ASSY WLDMNT BASE STEP 1
2	A6507	1	KIT:PAN, STAINLESS, 30 HOLE
3	A5062	2	EXTRUSION RAIL ROLLER 31"
4	A1890	2	Cap Base 3" Adj. 65 Durometer
5	P2144	2	Wheel Front PRO II
6	37622	12	5/16"-18 Zinc Square Nut
7	70961	2	5/16"-18 Stnlss Stl Acorn Nut
8	33892	2	5/16" Yellow Zinc Split L/W
9	73783	2	5/16"-18 x 1-3/4" Stnlss BSCS
10	33712	10	5/16" Zinc Internal Tooth L/W
11	0171292	4	KIT:5/16"-18 x 2-1/2" Stnlss BSCS
12	A5215	4	Endcap Cover Extrusion Rail
13	A5449	1	HANDLE LIFT STEP 1
14	0142859	2	KIT:6 X 5/8 ZINC PHLLPS PH PLSTC S
15	P1982	1	Decal Number 1" Spacing 1- 20
16	13064	8	5/16"-18 x 2-3/4" Zinc HCS

Brackets Assembly



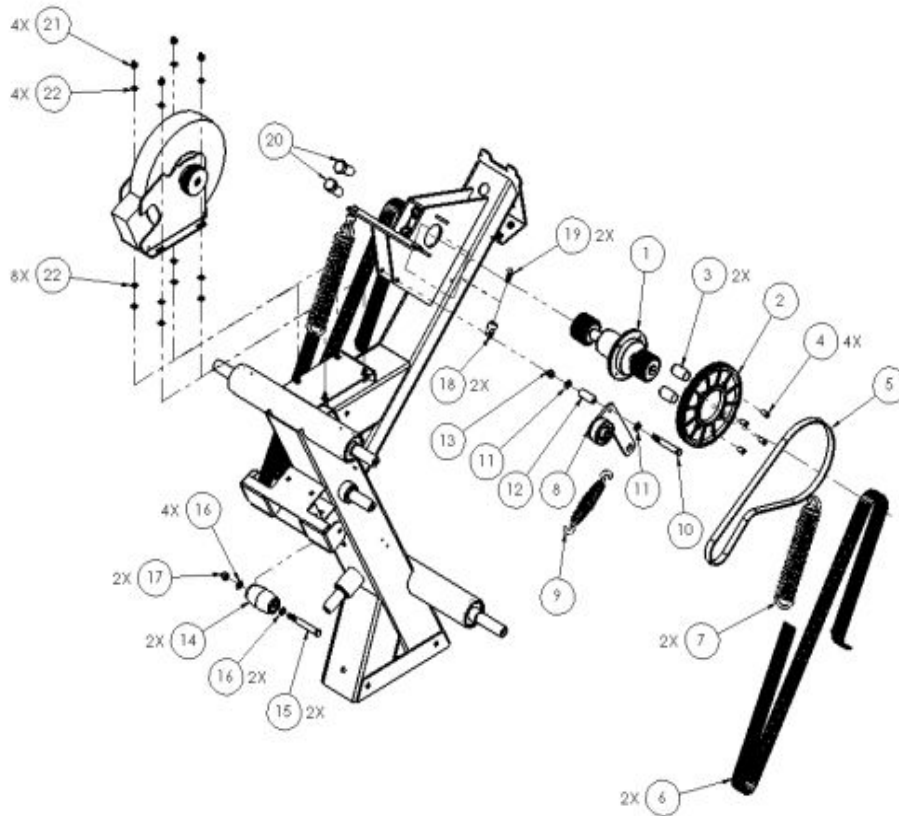
Ref #	Part Number	Qty	Description
1	A5140	2	BRACKET ENCL UPPR STEP 1
2	A5141	1	BRACKET ENCL MID LH STEP 1
3	A5142	1	BRACKET ENCL MID RH STEP 1
4	A5578	1	ASSY ECL. BRKT LWR LH STEP 1
5	A5577	1	ASSY ECL. BRKT LWR RH STEP 1
6	A5652	1	Assy, Trim, Left, StepOne
7	A5653	1	Assy, Trim, Right, StepOne
8	32316	12	SCR:#8-32 x 1/2" Zinc Phillips PHTCS
9	A5469	1	ASSY ASSIST HANDLE STEP 1
10	A5044	1	BRACKET MOUNT DSPLY STEP 1
11	A5133	1	BRACKET MOUNT PCBA STEP 1
12	19651	2	5/16-18 x 1/2 Zinc FB
13	19653	2	5/16"-18 x 3/4" Flange head hex cap
14	10537-09060	4	Screw M5 x 12mm Phil Black Zinc
15	33733	4	#6 Zinc Finish Ext Tooth L/W
16	28804	4	SCREW 6/32 X 1/2 PHILLIPS HD MACHINE
17	63127	2	11" Cable Tie
18	23307	4	SCR:SCREW, 3/8"-16 X 1-1/4" BLK SCS
19	33893	4	3/8" Yllw Zinc Split L/W
20	33008	4	WASHER FLAT 3/8 ID X 3/4 OD X .06 THK

Cover Assembly



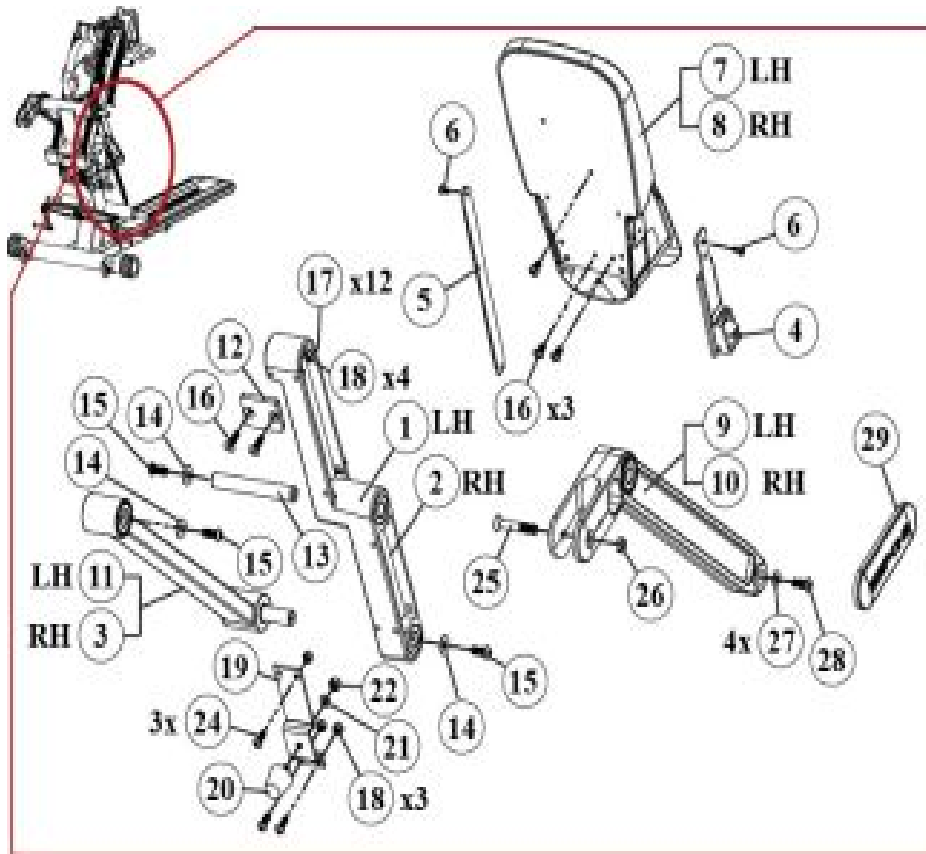
Ref #	Part Number	Qty	Description
1	A5625	1	Assy Enclosure LH Top StepOne
2	A5626	1	Assy Enclosure RH Top StepOne
3	A5032	1	ENCLOSURE BOTTOM STEP 1
4	A5162	1	BRACKET ENCLOSURE FRONT STEP 1
5	A5161	1	BRACKET ENCLOSURE REAR STEP 1
6	A5167	3	BRACKET ENCLOSURE TIE STEP 1
7,9	29467	10	#10-24 x 1/2" Zinc Phllps FHMS
8	28957	18	10-32 x 1/2" Zinc PPHMS
10	0142866	8	KIT:6 x 2 Zinc Phllps PH Plstc Scr

Drive System



Ref #	Part Number	Qty	Description
1	A4068	1	ASSY AXLE HUB W/ROLLER CLUTC
2	A5165	1	PULLEY LARGE POLY V STEP 1
3	A5185	2	ROLL PIN ALIGNING TC/STEP 1
4	0141378	4	KIT:M5-0.80 x 18mm Zinc FHSCS
5	P5166	1	BELT DRIVE SECONDARY POLY-V
6	A5164	2	ASSY BELT DRIVE PRIMARY STEP 1
7	A5458	2	Spring Tension Pedal Belt Step
8	A5620	1	Assy Idler StepOne
9	P4329	1	Spring Belt Tension Bracket TC
10	13065	1	SCR:5/16"-18 x 3" Zinc HCS
11	33080	2	5/16" Zinc F/W
12	A5845	1	Spacer Idler Bolt StepOne
13	37021	1	NUT NYLOCK 5/16-18
14	S7200	1	KIT:STEP1, PEDAL BELT ROLLERS W/HW
15	38628	2	SCR:M8-1.25 x 90mm Zinc CS
16	40357	4	M8 Zinc F/W
17	40163	2	M8-1.25 DIN 985 Zinc Plated Nylon Insert Lock Nut
18	A4768	2	LINK SPRING RETURN TC1000/1
19	39917	2	SCREW M8-1.25 x 20MM SOCKET BUTTON HD
20	11114268	2	SCR:M16-1.5 x 55mm Zinc CS
21	37018	4	NUT NYLOCK 1/4-20 ZINC
22	40355	12	Washer Flat M6 Zinc

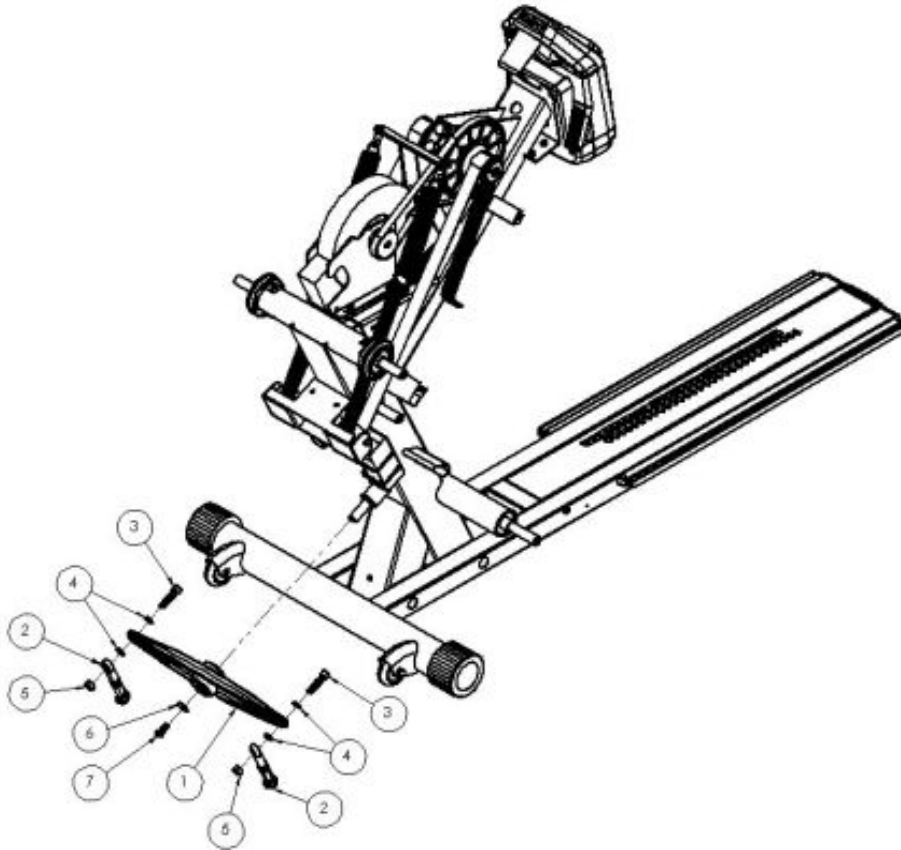
Pedal Arm Links



Ref #	Part Number	Qty	Description
1	A5623	1	Assy, Pedal Arm, LH, StepOne
2	A5356	1	ASSY ARM PEDAL STEP1
3	A5395	2	ASSY LINK PEDAL FRAME RH STEP1
4	P5476	2	BUCKLE FOOT STRAP STEP 1
5	P5470	2	FOOT STRAP PEDAL STEP 1
6	11103519	4	#10-24 x 5/16" Zinc TH Mating
7	A5390	1	ASSY FOOTPAD LH STEP1
8	A5391	1	ASSY FOOTPAD RH STEP1
9	A5354	1	ASSY LINK PEDAL DRIVE LH STEP1
10	A5355	1	ASSY LINK PEDAL DRIVE RH STEP1
11	A5394	2	ASSY LINK PEDAL FRAME LH STEP1
12	A5130	2	CLAMP BELT DRIVE PRIMARY STEP 1
13	A5419	2	Pedal Link Bolt Step1
14	10537-08102	6	3/8 USS FW BLACK
15	10537-08099	6	3/8-16 X 1 BSCS BLACK
16	10537-08101	4	5/16"-18 x 1-1/8" Blk Znc FSCS
17	10537-08098	12	5/16"-18 x 5/8" Blk Zinc BSCS
18	10537-08103	14	5/16"-18 Blk Zinc Lock Nut
19	A6065	2	Bracket Bumper Lower Step 1
20	P2722	2	Stop Bump RST7000
21	33893	2	3/8" Yllw Zinc Split L/W
22	36106	2	3/8"-16 Zinc Hex Nut

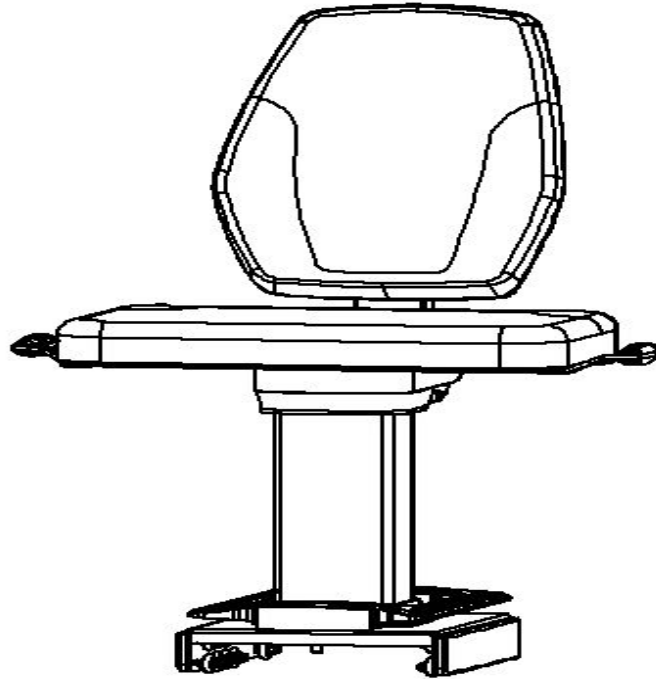
Ref #	Part Number	Qty	Description
24	10537-08842	6	Screw, 5/16-18 x 7/8", BHBZ
25	94333	2	FHSC 7/16-14 X 2 3/4"
26	36208	2	7/16-14 JAM NUT
27	33815	4	3/8" Yllw Zinc Hardened F/W
28	94092	4	BHSC 3/8-16 X 1
29	A5027	2	PLATE LOGO LINK STEP 1

Pivot Link Assembly



Ref #	Part Number	Qty	Description
1	A5353	1	ASSY PIVOT BLADE STEP1
2	A5474	2	ASSY LINK PIVOT STEP ONE
3	10537-08100	2	7/16-14 X 1 3/4 SHCS BLACK
4	10537-03641	4	WASHER .75 OD X .45 ID X .063 THK
5	37027	2	NUT:7/16"-14 Zinc Nylon Lock Nut
6	10537-08102	5	3/8 USS FW BLACK
7	10537-08099	5	3/8-16 X 1 BSCS BLACK

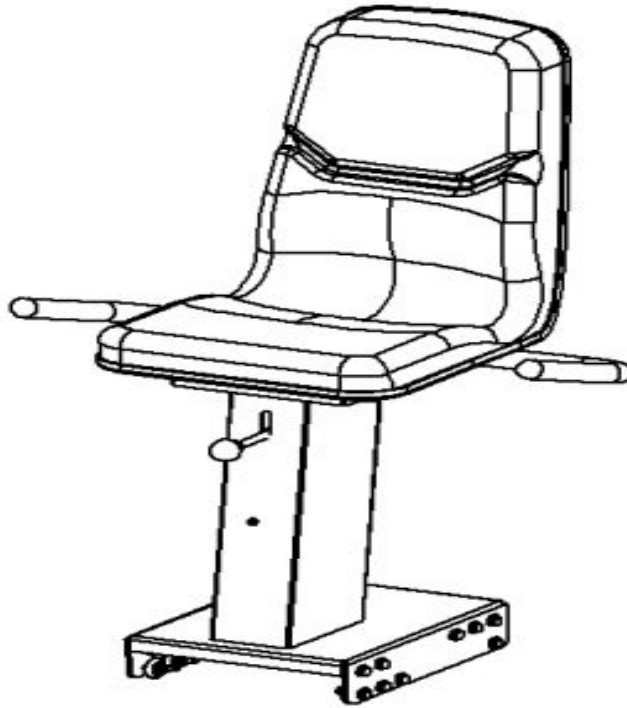
Seat, Bariatric - 151-001651 to CURRENT



PLEASE SEE: BARI-SEAT-01

Ref #	Part Number	Qty	Description
-	BARI-SEAT-01	1	SCIFIT Bariatric Seat

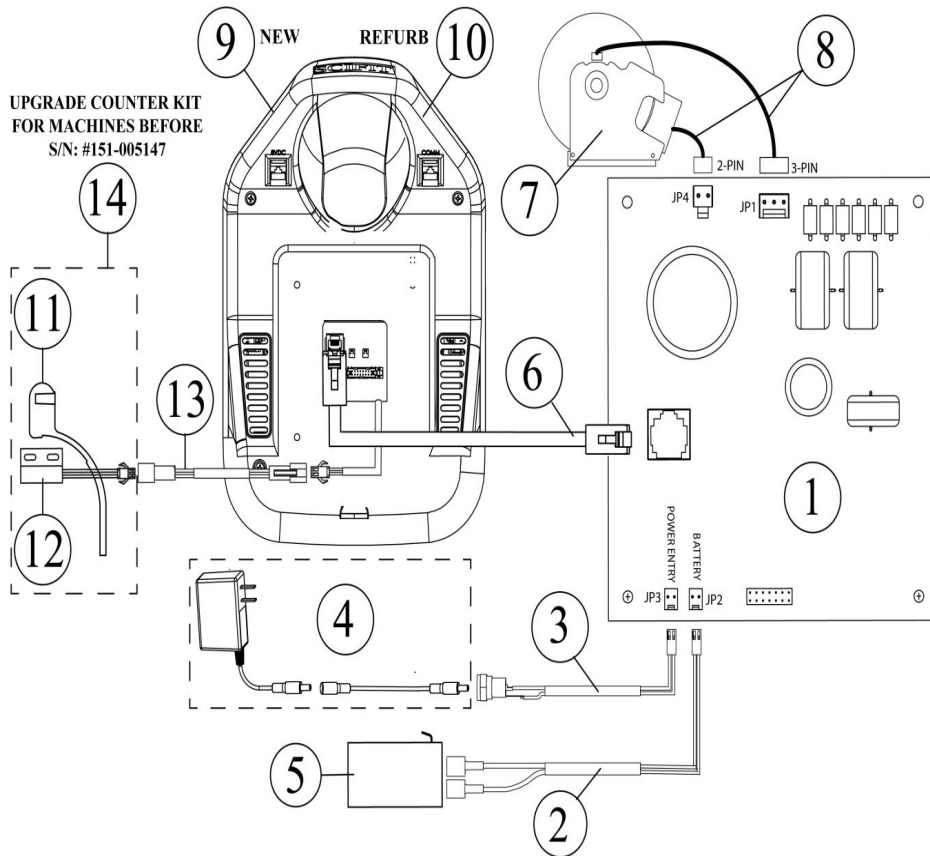
**Seat, Fixed Bucket PRO - 151-000001 to
151-001650**



PLEASE SEE: S3585-CH

Ref #	Part Number	Qty	Description
-	S3585-CH	1	KIT:KIT, SEAT, BARIACTRIC, PRO, CHARCOAL

Wiring Diagram



Ref #	Part Number	Qty	Description
1	A5361	1	Kit A5005 W/Mounting Bracket
2	P1833	1	Cable Battery Cordless
3	A5405	1	Cable Power Entry StepOne
4	CORD-NT-DOM-LV	1	CSS PUR DOMESTIC
5	P1564	1	Battery Rechargeable Cordless
6	P4742	1	Cable Comm 63" Intelli ISO1000R/7000R & SXT
7	S3611	1	Kit Brake Cordless PRO w/o Bra
8	S4454	1	CABLES IND. BRAKE 3 & 2 PIN
9	LCD-EN-01	1	SCIFIT LCD Console English
10	LCD-EN-01R	1	NC ASSY, CONSOLE, REFUB, LCD, TS, ROTARY, WIRELESS
11	A6785	1	STEP COUNTER MAGNET HOLDER, STEP1
12	A5410	1	Assy Switch Magnet StepOne
13	A5409	1	Cable Step Counter MID StepOne
14	S6791	1	Assy, Upgrade, StepOne Counter

